



# COMMERCIAL INSTRUCTION MANUAL

IMPORTANT INFORMATION,  
KEEP FOR OPERATOR

USA & Canada, 866-339-8515  
4003 Collins Lane, Louisville, KY 40245  
www.kelvinatorcommercial.com

**THIS MANUAL MUST BE RETAINED FOR FUTURE REFERENCE. READ, UNDERSTAND AND FOLLOW THE INSTRUCTIONS AND WARNINGS CONTAINED IN THIS MANUAL.**

**FOR YOUR SAFETY** Do not store or use gasoline or other flammable vapors and liquids in the vicinity of this or any other appliance.

**NOTIFY CARRIER OF DAMAGE AT ONCE** It is the responsibility of the consignee to inspect the container upon receipt of same and to determine the possibility of any damage, including concealed damage. Electrolux Professional, Inc. suggests that if you are suspicious of damage to make a notation on the delivery receipt. It will be the responsibility of the consignee to file a claim with the carrier. We recommend that you do so at once.

**Manufacture Service/Questions 866-339-8515.**

This manual provides information for:

## NOVELTY FREEZERS



### RETAIN THIS MANUAL FOR FUTURE REFERENCE

**NOTICE:** Due to a continuous program of product improvement, Electrolux Professional, Inc. reserves the right to make changes in design and specifications without prior notice. **NOTICE:** Please read the entire manual carefully before installation. If certain recommended procedures are not followed, warranty claims will be denied.

The serial number of all self-contained refrigerators and freezers is located inside the unit on the left hand side near the top on the wall. Always have the serial number of your unit available when calling for parts or service. This manual covers standard units only. If you have a custom unit, consult the customer service department at the number listed in this manual.

## EQUIPMENT DESCRIPTION

MODEL NO.	REFRIGERANT TYPE	REFRIGERANT WEIGHT, G	V/HZ/PH	AMPS	CAPACITY STORAGE (CU FT)	HP	BTU	CHARGE OZ	SHIP WEIGHT LBS	NEMA PLUG
KCNF073WS	R600a	25	115/60/1	1.2	6.4	1/6	200	1.9	88	5-15P
KCNF140WH	R290	115	115/60/1	2	14.3	1/4	1890	4.06	194	5-15P
KCNF170WH	R290	135	115/60/1	4.1	17.5	1/2	2200	4.76	243	5-15P

## IMPORTANT - READ FIRST - IMPORTANT

YOUR SAFETY AND THE SAFETY OF OTHERS ARE VERY IMPORTANT.

WE HAVE PROVIDED MANY IMPORTANT SAFETY MESSAGES IN THIS MANUAL AND ON YOUR APPLIANCE. ALWAYS READ AND OBEY ALL SAFETY MESSAGES.

OUR PRODUCT INSTRUCTIONS WILL BE UPLOADED ON OUR COMPANY OFFICIAL WEBSITE.



THIS IS THE SAFETY ALERT SYMBOL. THIS SYMBOL ALERTS YOU TO POTENTIAL HAZARDS THAT CAN KILL OR INJURE YOU AND OTHERS. ALL SAFETY MESSAGES WILL FOLLOW THE SAFETY ALERT SYMBOL AND EITHER THE WORDS "DANGER", "WARNING" OR "CAUTION".

DANGER MEANS THAT FAILURE TO HEED THIS SAFETY STATEMENT MAY RESULT IN SEVERE PERSONAL INJURY OR DEATH.



WARNING MEANS THAT FAILURE TO HEED THIS SAFETY STATEMENT MAY RESULT IN EXTENSIVE PRODUCT DAMAGE, SERIOUS PERSONAL INJURY, OR DEATH.



CAUTION MEANS THAT FAILURE TO HEED THIS SAFETY STATEMENT MAY RESULT IN MINOR OR MODERATE PERSONAL INJURY, OR PROPERTY OR EQUIPMENT DAMAGE.

ALL SAFETY MESSAGES WILL ALERT YOU TO WHAT THE POTENTIAL HAZARD IS, TELL YOU HOW TO REDUCE THE CHANCE OF INJURY, AND LET YOU KNOW WHAT CAN HAPPEN IF THE INSTRUCTIONS ARE NOT FOLLOWED.

### REFRIGERANT GAS WARNINGS:

**DANGER:** RISK OF FIRE OR EXPLOSION. FLAMMABLE REFRIGERANT USED. DO NOT USE MECHANICAL DEVICES TO DEFROST REFRIGERATOR. DO NOT PUNCTURE REFRIGERANT TUBING.

**DANGER:** RISK OF FIRE OR EXPLOSION. FLAMMABLE REFRIGERANT USED. TO BE REPAIRED ONLY BY TRAINED SERVICE PERSONNEL. DO NOT PUNCTURE REFRIGERANT TUBING.

**CAUTION:** RISK OF FIRE OR EXPLOSION. FLAMMABLE REFRIGERANT USED. CONSULT REPAIR MANUAL / OWNER'S GUIDE BEFORE ATTEMPTING TO SERVICE THIS PRODUCT. ALL SAFETY PRECAUTIONS MUST BE FOLLOWED.

**CAUTION:** RISK OF FIRE OR EXPLOSION. DISPOSE OF PROPERTY IN ACCORDANCE WITH FEDERAL OR LOCAL REGULATIONS. FLAMMABLE REFRIGERANT USED.

**CAUTION:** RISK OF FIRE OR EXPLOSION DUE TO PUNCTURE OF REFRIGERANT TUBING; FOLLOW HANDLING INSTRUCTIONS CAREFULLY. FLAMMABLE REFRIGERANT USED.

### IMPORTANT SAFEGUIDES:

**DANGER:** BEFORE THE REFRIGERATOR IS USED, IT MUST BE PROPERLY POSITIONED AND INSTALLED AS DESCRIBED IN THIS MANUAL, SO READ THE MANUAL CAREFULLY. TO REDUCE THE RISK OF FIRE, ELECTRICAL SHOCK OR INJURY WHEN USING THE REFRIGERATOR, FOLLOW BASIC PRECAUTION, INCLUDING THE FOLLOWING:

**DANGER:** PLUG INTO A GROUNDED 3-PRONG OUTLET, DO NOT REMOVE GROUNDING PRONG, DO NOT USE AN ADAPTER, AND DO NOT USE AN EXTENSION CORD.

**DANGER:** IT IS RECOMMENDED THAT A SEPARATE CIRCUIT, SERVING ONLY YOUR REFRIGERATOR BE PROVIDED. USE RECEPTACLES THAT CANNOT BE TURNED OFF BY A SWITCH OR PULL CHAIN.

**DANGER:** NEVER CLEAN REFRIGERATOR PARTS WITH FLAMMABLE FLUIDS. THESE FUMES CAN CREATE A FIRE HAZARD OR EXPLOSION. AND DO NOT STORE OR USE GASOLINE OR OTHER FLAMMABLE VAPORS AND LIQUIDS IN THE VICINITY OF THIS OR ANY OTHER APPLIANCE. THE FUMES CAN CREATE A FIRE HAZARD OR EXPLOSION.

**DANGER:** BEFORE PROCEEDING WITH CLEANING AND MAINTENANCE OPERATIONS, MAKE SURE THE POWER LINE OF THE UNIT IS DISCONNECTED.

**DANGER:** DO NOT CONNECT OR DISCONNECT THE ELECTRIC PLUG WHEN YOUR HANDS ARE WET.

**DANGER:** UNPLUG THE REFRIGERATOR OR DISCONNECT POWER BEFORE CLEANING OR SERVICING. FAILURE TO DO SO CAN RESULT IN ELECTRICAL SHOCK OR DEATH.

**DANGER:** DO NOT ATTEMPT TO REPAIR OR REPLACE ANY PART OF YOUR REFRIGERATOR UNLESS IT IS SPECIFICALLY RECOMMENDED IN THIS MANUAL. ALL OTHER SERVICING SHOULD BE REFERRED TO A QUALIFIED TECHNICIAN.

### FOLLOW WARNING CALL OUTS BELOW ONLY WHEN APPLICABLE TO YOUR MODEL:

**WARNING:** USE TWO OR MORE PEOPLE TO MOVE AND INSTALL REFRIGERATOR. FAILURE TO DO SO CAN RESULT IN BACK OR OTHER INJURY.

**WARNING:** TO ENSURE PROPER VENTILATION FOR YOUR REFRIGERATOR, THE FRONT OF THE UNIT MUST BE COMPLETELY UNOBSTRUCTED. CHOOSE A WELL-VENTILATED AREA WITH TEMPERATURES ABOVE 60°F (16°C) AND BELOW 90°F (32°C). THIS UNIT MUST BE INSTALLED IN AN AREA PROTECTED FROM THE ELEMENT, SUCH AS WIND, RAIN, WATER SPRAY OR DRIPS.

**WARNING:** THE REFRIGERATOR SHOULD NOT BE LOCATED NEXT TO OVENS, GRILLS OR OTHER SOURCES OF HIGH HEAT.

**WARNING:** THE REFRIGERATOR MUST BE INSTALLED WITH ALL ELECTRICAL CONNECTIONS IN ACCORDANCE WITH STATE AND LOCAL CODES. A STANDARD ELECTRICAL SUPPLY (115 V AC ONLY, 60 HZ), PROPERLY GROUNDED IN ACCORDANCE WITH THE NATIONAL ELECTRICAL CODE AND LOCAL CODES AND ORDINANCES IS REQUIRED.

**WARNING:** DO NOT KINK OR PINCH THE POWER SUPPLY CORD OF REFRIGERATOR.

**WARNING:** THE FUSE (OR CIRCUIT BREAKER) SIZE SHOULD BE 15 AMPERES.

**WARNING:** IT IS IMPORTANT FOR THE REFRIGERATOR TO BE LEVELED IN ORDER TO WORK PROPERLY. YOU MAY NEED TO MAKE SEVERAL ADJUSTMENTS TO LEVEL IT.

**WARNING:** NEVER ALLOW CHILDREN TO OPERATE, PLAY WITH OR CRAWL INSIDE THE REFRIGERATOR.

**WARNING:** ALTHOUGH THE UNIT HAS BEEN TESTED AT THE FACTORY, DUE TO LONG-TERM TRANSIT AND STORAGE, THE FIRST BATCH OF CUBES MUST BE DISCARDED.

**WARNING:** DO NOT USE SOLVENT-BASED CLEANING AGENTS OF ABRASIVES ON THE INTERIOR. THESE CLEANERS MAY DAMAGE OR DISCOLOR THE INTERIOR.

**WARNING:** DO NOT USE THIS APPARATUS FOR OTHER THAN ITS INTENDED PURPOSE.

## RECEIVING & INSPECTING THE EQUIPMENT

Even though most equipment is shipped crated, care should be taken during unloading so the equipment is not damaged while being moved into the building.

1. Visually inspect the exterior of the package and skid or container. Any damage should be noted and reported to the delivering carrier immediately.
2. If damaged, open and inspect the contents with the carrier.
3. In the event that the exterior is not damaged, yet upon opening, there is concealed damage to the equipment, notify the carrier. Notification should be made verbally as well as in written form.
4. Request an inspection by the shipping company of the damaged equipment. This should be done within 10 days from receipt of the equipment.
5. Be certain to check the compressor compartment housing and visually inspect the refrigeration package. Be sure lines are secure and base is still intact.
6. Freight carriers can supply the necessary damage forms upon request.
7. Retain all crating material until an inspection has been made or waived.

## INSTALLATION

**WARNING:** READ ALL INSTRUCTIONS BEFORE USING THE REFRIGERATOR-FREEZER.

**WARNING:** RISK OF CHILD ENTRAPMENT. CHILD ENTRAPMENT AND SUFFOCATION ARE NOT PROBLEMS OF THE PAST. JUNKED OR ABANDONED REFRIGERATOR-FREEZERS ARE STILL DANGEROUS. . . EVEN IF THEY WILL "JUST SIT IN THE GARAGE A FEW DAYS."

**WARNING:** BEFORE YOU THROW AWAY YOUR OLD REFRIGERATOR-FREEZER: TAKE OFF THE DOORS. LEAVE THE SHELVES IN PLACE SO THAT CHILDREN MAY NOT EASILY CLIMB INSIDE.

**WARNING:** NEVER ALLOW CHILDREN TO OPERATE, PLAY WITH, OR CRAWL INSIDE THE REFRIGERATOR-FREEZER.

**WARNING:** NEVER CLEAN REFRIGERATOR-FREEZER PARTS WITH FLAMMABLE FLUIDS. THE FUMES CAN CREATE A FIRE HAZARD OR EXPLOSION.

**WARNING:** DO NOT STORE OR USE GASOLINE OR ANY OTHER FLAMMABLE VAPORS AND LIQUIDS IN THE VICINITY OF THIS OR ANY OTHER REFRIGERATOR-FREEZER. THE FUMES CAN CREATE A FIRE HAZARD OR EXPLOSION.

## BEFORE USING YOUR APPLIANCE

- Remove the exterior and interior packing.
- Check to be sure you have all of the following parts:
  - 1 Storage Basket
  - 1 Drain Plug
  - 1 Instruction Manual
  - 1 Plastic Scraper
- Before connecting the unit to the power source, let it stand upright for approximately 2 hours. This will reduce the possibility of a malfunction in the cooling system from handling during transportation.
- Clean the interior surface with lukewarm water using a soft cloth.

## INSTALLATION OF YOUR APPLIANCE

- Place your refrigerator-freezer on a floor that is strong enough to support the refrigerator- freezer when it is fully loaded. To level your refrigerator-freezer, adjust the leveling legs at the bottom of unit.
- Allow 5 inches of space between the back and sides of the unit, which allows the proper air circulation to cool the compressor and condenser.
- Locate the unit away from direct sunlight and sources of heat (stove, heater, radiator, etc.). Direct sunlight may affect the acrylic coating and heat sources may increase electrical consumption. Extreme cold ambient temperatures may also cause the refrigerator- freezer not to perform properly.
- Avoid locating the unit in moist areas.
- Plug the unit into an exclusive properly installed-grounded wall outlet. Do not under any circumstances cut or remove the third (ground) prong from the power cord. Any questions concerning power and/or grounding should be directed toward a certified electrician or an authorized service center.

## ELECTRICAL CONNECTION

**WARNING: IMPROPER USE OF THE GROUNDED PLUG CAN RESULT IN THE RISK OF ELECTRICAL SHOCK. IF THE POWER CORD IS DAMAGED, HAVE IT REPLACED BY AN AUTHORIZED PRODUCTS SERVICE CENTER.**

This appliance should be properly grounded for your safety. The power cord of this appliance is equipped with a three-prong plug which mates with standard three prong wall outlets to minimize the possibility of electrical shock.

Do not under any circumstances cut or remove the third ground prong from the power cord supplied. For personal safety, this appliance must be properly grounded.

This appliance requires a standard 115/120 Volt AC ~/60Hz electrical ground outlet with three-prong. Have the wall outlet and circuit checked by a qualified electrician to make sure the outlet is properly grounded. When a standard 2-prong wall outlet is encountered, it is your responsibility and obligation to have it replaced with a properly grounded 3-prong wall outlet.

The cord should be secured behind the appliance and not left exposed or dangling to prevent accidental injury.

The appliance should always be plugged into its own individual electrical outlet which has a voltage rating that matches the rating label on the appliance. This provides the best performance and also prevent overloading house wiring circuits that could cause a fire hazard from overheated. Never unplug the appliance by pulling the power cord. Always grip the plug firmly and pull straight out from the receptacle. Repair or replace immediately all power cords that have become frayed or otherwise damaged. Do not use a cord that shows cracks or abrasion damage along its length or at either end. When moving the appliance, be careful not to damage the power cord.

## EXTENSION CORD

Because of potential safety hazards under certain conditions, it is strongly recommended that you do not use an extension cord with this appliance. However, if you must use an extension cord it is absolutely necessary that it be a UL/CUL-

Listed, 3-wire grounding type appliance extension cord having a grounding type plug and outlet and that the electrical rating of the cord be 115 volts and at least 10 amperes.

## SURGE PROTECTOR

Most electrical appliances use a series of electric control boards to operate. These boards are very susceptible to power surges and could be damaged or destroyed.

If the appliance is going to be used in an area or if your city / country is prone to power surges / outages; it is suggested that you use a power surge protector for all electrical devices / appliances you use. The surge protector that you select must have a surge block high enough to protect the appliance it is connected to. If you have any questions regarding the type and size of surge protector needed contact a licensed electrician in your area.

Damages due to power surges are not considered a manufacturer covered defect and will void your product warranty.

## OPERATION

**CAUTION: DO NOT USE BOILING WATER BECAUSE IT MAY DAMAGE THE PLASTIC PARTS. IN ADDITION, NEVER USE A SHARP OR METALLIC INSTRUMENT TO REMOVE FROST AS IT MAY DAMAGE THE COOLING COILS AND WILL VOID THE WARRANTY. WE RECOMMEND USING THE PLASTIC SCRAPER PROVIDED WITH YOUR UNIT.**

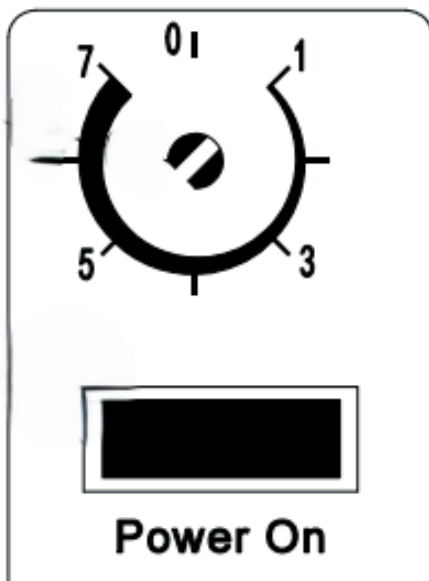
**NOTE: IF THE UNIT IS UNPLUGGED, HAS LOST POWER, OR IS TURNED OFF, YOU MUST WAIT 3 TO 5 MINUTES BEFORE RESTARTING THE UNIT. IF YOU ATTEMPT TO RESTART BEFORE THIS TIME DELAY, THE REFRIGERATOR-FREEZER WILL NOT START.**

## SETTING THE TEMPERATURE CONTROL: KCNF073WS



- To control the internal temperature, adjust the control dials according to the ambient temperature or purpose of use.
- The first time you turn the unit on, set the temperature control to “7”.
- The range of the temperature control is from position “1” the warmest to “7” the coldest in the freezer section. After 24 to 48 hours, adjust the temperature control to the setting that best suits your needs. The setting of “4” should be correct for home or office refrigerator use.
- Turning the temperature control to “0” stops the cooling cycle but does not shut off the power to the freezer.
- Large amounts of food will lower the cooling efficiency of the appliance.
- If you choose to change the thermostat setting, adjust thermostat control by one numerical increment at a time. Allow several hours for temperature to stabilize between adjustments.

## SETTING THE TEMPERATURE CONTROL: KCNF140WH, KCNF170WH



- To control the interior temperature, using a screwdriver, adjust the control knobs based on the ambient temperature or intended use.
- The first time you turn the unit on, set the temperature control to “7”.
- The range of the temperature control is from position “1” the warmest to “7” the coldest in the freezer section. After 24 to 48 hours, adjust the temperature control to the setting that best suits your needs. The setting of “4” should be correct for home or office refrigerator use.
- Turning the temperature control to “0” stops the cooling cycle but does not shut off the power to the freezer.
- Large amounts of food will lower the cooling efficiency of the appliance.
- If you choose to change the thermostat setting, adjust thermostat control by one numerical increment at a time. Allow several hours for temperature to stabilize between adjustments.

### DEFROSTING YOUR FREEZER

- When? For the most efficient operation and minimum energy consumption, defrost the freezer when the frost on the freezer walls is excessive or ¼ to ½ inch thick.
- Choose a time when the stock of frozen food is low.
- Remove the frozen food from the freezer and place it in a cooler to protect the food.
- Turn the thermostat knob to “0”.
- Unplug the freezer. The “POWER ON INDICATOR” light should be OFF.
- During defrosting, the ice melts into the cabinet.
- Remove the drain plug on the inside floor of the freezer by pulling straight out.
- Place a shallow pan outside drain outlet. The defrost water will drain out.
- Check the pan occasionally so the water does not overflow.
- Clean the interior of the freezer.
- Replace the plug on the inside floor.
- Reconnect electrical connection. The “POWER ON INDICATOR” light should be ON
- Reset the thermostat to desired setting.
- Allow the cabinet to cool for one hour.
- Return food to the freezer.

Defrosting usually takes a few hours. Leaving the door open will help speed the process. Also, pouring warm water (not boiling) on the ice/frost will help speed melting. If you must use a scraper- please use caution - it is very easy to damage the freezer compartment and void your warranty.

### THE FREEZER COMPARTMENT

- This compartment is designed for the long-term storage of frozen food. Storage time is up to three months.
- The storage life of frozen foods varies and the recommended storage time should not be exceeded. The instructions regarding the care of frozen foods should be followed when defrosting the freezer.
- Pre-packed commercially frozen food should be stored in accordance with the frozen foods manufacturer’s instructions for a three star frozen food storage compartment or home freezer.
- Place frozen food into the freezer as quickly as possible after purchase. If there are instructions on the packet, carefully follow these instructions regarding storage times.
- The freezer door is susceptible to breaking due to excessive ice build up. Be sure to defrost when the ice reaches ¼ to ½ inch thick.

A storage basket is provided for the organization of odd-shaped items. To reach other packages in the freezer, just slide the basket to one side, or lift it out.

### FREEZING FRESH FOODS

- Proper use of the appliance, adequately packed food, correct temperature and taking into account hygienic precautions will substantially influence the quality of freezing the food or storing of the frozen foods.
- This compartment is designed for the long-term storage of frozen food.
- The storage life of frozen foods varies and the recommended storage time should not be exceeded.
- Pre-packed commercially frozen food should be stored in accordance with the frozen foods manufacturer’s instructions for a three star frozen food storage compartment or home freezer.
- Place frozen food into the freezer as quickly as possible after purchase. If there are instructions on the packet, carefully follow these instructions regarding storage times.
- Carefully select food you intend to freeze, it should be of adequate quality and suitable for freezing.
- Use correct packaging and wrap it tight.
- The packaging should be airtight and shouldn’t leak since this could cause substantial vitamin loss and dehydration of foods.
- Foils and bags should be soft enough to tightly wrap around the foods.
- When preparing foods to be frozen, consider sanitary precautions.
- Mark packages with following data: kind and amount of foods and the date of loading.
- It is most important that the food is frozen as quickly as possible.
- If the loading amount is too large, the quality of freezing is reduced which affects the quality of frozen foods.

## MAINTENANCE

**DANGER:** THE POWER MUST BE TURNED OFF AND THE UNIT DISCONNECTED FROM THE POWER SOURCE WHENEVER PERFORMING SERVICE, MAINTENANCE FUNCTIONS OR CLEANING THE REFRIGERATED AREA.

**DANGER:** NEVER USE A HIGH PRESSURE WATER WASH FOR THIS CLEANING PROCEDURE AS WATER CAN DAMAGE THE ELECTRICAL COMPONENTS LOCATED NEAR OR AT THE CONDENSER COIL.

**DANGER:** NEVER USE STEEL PADS, WIRE BRUSHES OR SCRAPERS!

**CAUTION:** NEVER USE AN ACID BASED CLEANING SOLUTION MANY FOOD PRODUCTS HAVE AN ACIDIC CONTENT WHICH CAN DETERIORATE THE FINISH. BE SURE TO CLEAN THE STAINLESS STEEL SURFACES OF ALL FOOD PRODUCTS.

### CLEANING YOUR FREEZER

- Upon installation of your new appliance, it is recommended that it be cleaned thoroughly.
- Turn the temperature control to “OFF”, unplug the freezer, remove the food and storage basket.
- Wash the inside with a damp warm cloth containing a water and baking soda solution. The solution should be about 2 tablespoons of baking soda to a quart of water.
- Wash the storage basket with a mild detergent solution.
- Be sure to keep the door gasket (seal) clean to keep the unit running efficiently.
- The outside of the freezer should be cleaned with mild detergent and warm water.
- Dry the interior and exterior with a soft cloth.
- It is recommended that the unit be cleaned each time it is defrosted to help keep the unit odor free and running efficiently.

### VACATION TIME

- Remove all the food.
- Unplug the freezer.
- Clean the freezer.
- Leave the door open slightly to avoid possible formation of condensation, mold, or odors.
- Use extreme caution in the case of children. The unit should not be accessible to child's' play.
- Short vacations: Leave the freezer operating during vacations of less than three weeks.
- Long vacations: If the appliance will not be used for several months, remove all food and unplug the power cord. Clean and dry the interior thoroughly. To prevent odor and mold growth, leave the door open slightly: blocking it open if necessary or have the door removed.

### MOVING YOUR FREEZER

- Remove all the food.
- Securely tape down all loose items inside your freezer.
- Remove the rollers to prevent damage.
- Tape the doors shut.
- Be sure the freezer stays in the upright position during transportation.

### ENERGY SAVING TIPS

- The freezer should be located in the coolest area of the room, away from heat producing appliances or heating ducts, and out of the direct sunlight.
- Let hot foods cool to room temperature before placing in the freezer. Overloading the freezer forces the compressor to run longer. Foods that freeze too slowly may lose quality, or spoil.
- Be sure to wrap foods properly, and wipe containers dry before placing them

in the freezer. This cuts down on frost build-up inside the freezer.

- Freezer storage bin should not be lined with aluminum foil, wax paper, or paper toweling. Liners interfere with cold air circulation, making the freezer less efficient.
- Organize and label food to reduce door openings and extended searches. Remove as many items as needed at one time, and close the door as soon as possible.

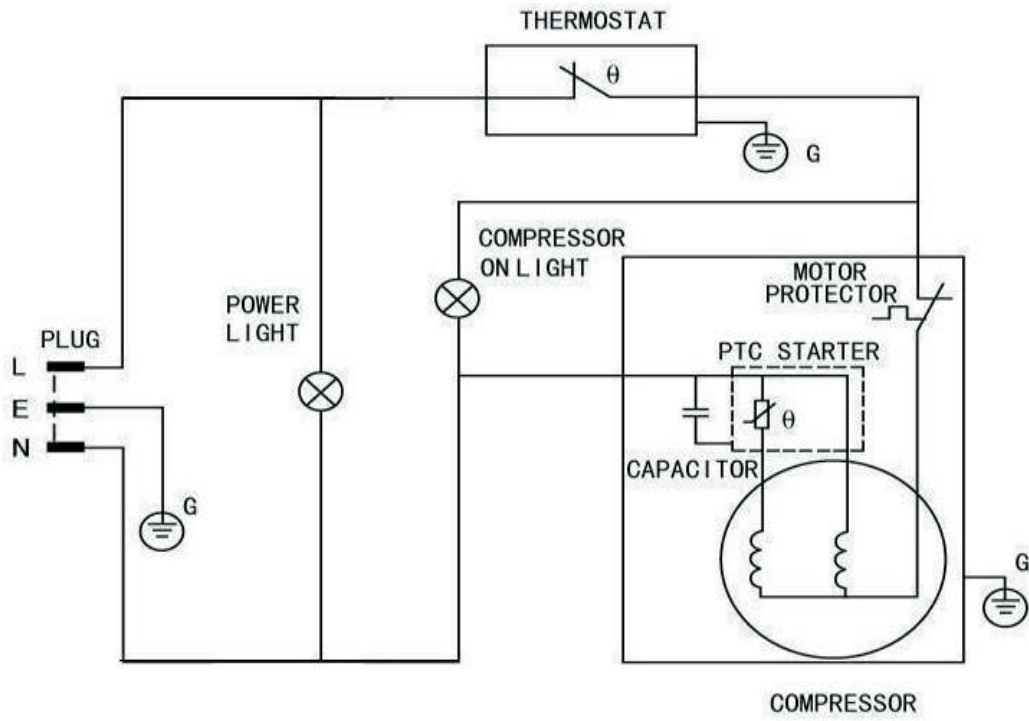
## TROUBLE SHOOTING

You can solve many common freezer problems easily, saving you the cost of a possible service call. Try the suggestions below to see if you can solve the problem before calling the servicer.

PROBLEM	CAUSES
Freezer does not operate	Not plugged in. The circuit breaker tripped or a blown fuse. The freezer temperature control is set at “0/OFF”.
Compressor turns on and off frequently	The room temperature is hotter than normal. A large amount of food has been added to the freezer. The door is open too often. The door is not closed completely. The temperature control is not set correctly. The door gasket does not seal properly. The freezer does not have the correct clearances. The freezer has recently been disconnected for a period of time. Four hours are required for the freezer to cool down completely.
Temperature inside the freezer is too warm	Temperature control is set too warm. Turn the control to a cooler setting and allow several hours for the temperature to stabilize. Door is kept open too long or is opened too frequently. Warm air enters the freezer every time the door is opened. Open the door less often. The door is not closed completely. The door gasket does not seal properly. A large amount of warm or hot food might have been stored recently. Wait until the freezer has had a chance to reach its selected temperature. The freezer has recently been disconnected for a period of time. Four hours are required for the freezer to cool down completely.
Temperature inside the freezer is too cold	Temperature control is set too cold. Turn the control to a warmer setting and allow several hours for the temperature to stabilize. Fast Freeze switch is turned on. This causes continuous running of the compressor and bypasses the temperature control.
Temperature of external freezer surface is warm	The exterior freezer walls can be as much as 30 F warmer than room temperature. This is normal while the compressor works to transfer heat from inside the freezer cabinet.
Popping or cracking sound when compressor comes on	Metal parts undergo expansion and contraction, as in hot water pipes. This is normal. Sound will level off or disappear as freezer continues to run.
Bubbling or gurgling sound, like water boiling	Refrigerant (used to cool freezer) is circulating throughout the system. This is normal.

PROBLEM	CAUSES
Vibrations	<p>Check to assure that the freezer is on a level surface.</p> <p>Floor is uneven or weak. Freezer rocks on the floor when it is moved slightly. Be sure floor can adequately support freezer. Level the freezer by putting wood or metal shims under part of the freezer.</p> <p>The freezer is touching the wall. Re-level the freezer and move it from the wall.</p> <p>See "Installation Instructions".</p>
Moisture forms on inside freezer walls	<p>Weather is hot and humid, which increases internal rate of frost build-up. This is normal.</p> <p>Door is slightly open.</p> <p>Door is kept open too long, or is opened too frequently. Open the door less often.</p> <p>The door is not sealed properly.</p>
Moisture forms on outside of freezer	<p>Door is slightly open, causing cold air from inside the freezer to meet warm moist air from outside.</p>
The door will not close properly	<p>The freezer is not on a level surface.</p> <p>The gasket is dirty.</p> <p>The storage basket is out of position.</p>

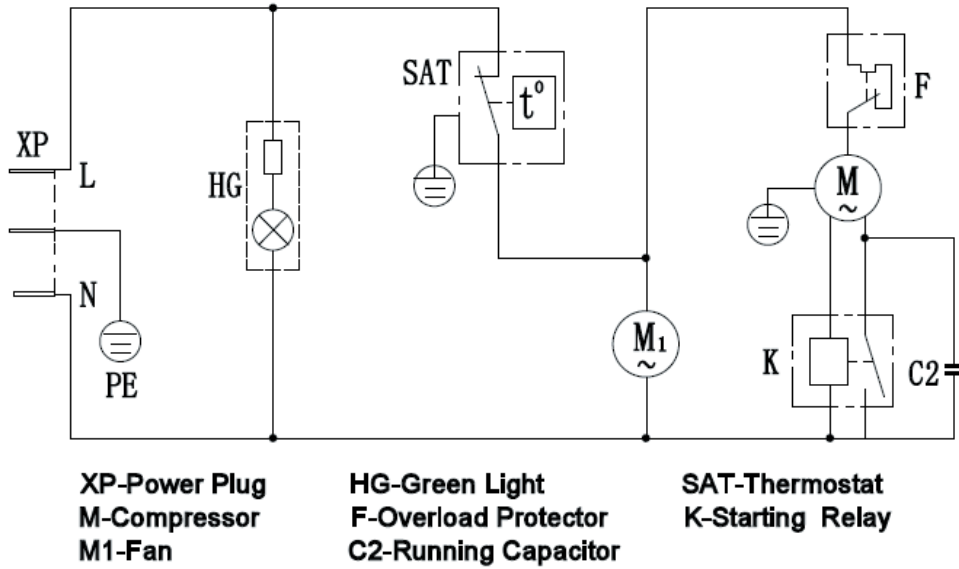
# Wiring Diagram



KCNF140WH

CALL FACTORY FOR REPLACEMENT PARTS:  
866-339-8515

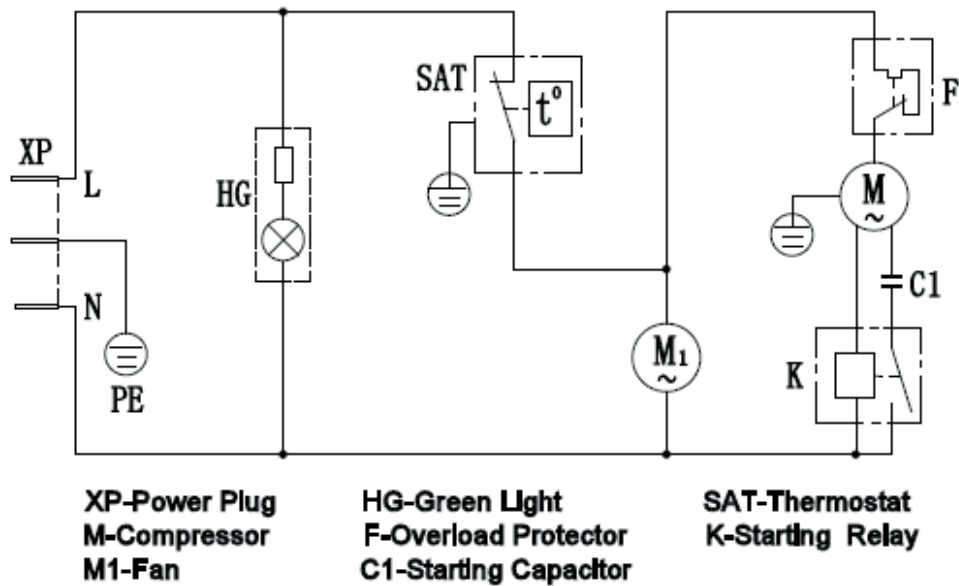
# Wiring Diagram



KCNF170WH

CALL FACTORY FOR REPLACEMENT PARTS:  
866-339-8515

# Wiring Diagram





## WARRANTY

Your appliance is covered by a **one (1) year limited warranty**. For one (1) year from your original date of purchase, Electrolux Professional, Inc. will pay all costs, except as set forth below, for repairing or replacing any parts of this appliance that prove to be defective in materials or workmanship when such appliance is installed, used, and maintained in accordance with the provided instructions. For appliances that are manufactured with a compressor, an additional four (4) year part warranty is provided for the compressor only.

### EXCLUSIONS

#### THIS WARRANTY DOES NOT COVER THE FOLLOWING:

1. Products where the original serial number has been removed, altered or cannot be readily determined.
2. Normal wear and tear and gradual deterioration.
3. Product that has been transferred from its original owner to another party or moved outside the USA or Canada.
4. Rust on the interior or exterior of the unit.
5. Products purchased "as-is".
6. Food loss due to any refrigerator or freezer failures.
7. Damage caused at any time during shipment.
8. Service calls which do not involve malfunction or defects in materials or workmanship, or for appliances used other than in accordance with the provided instructions.
9. Service calls to correct the installation of your appliance or to instruct you how to use your appliance.
10. Expenses for making the appliance accessible for servicing, such as removal of trim, cupboards, shelves, etc., which are not a part of the appliance when it is shipped from the factory.
11. Service calls to replace appliance light bulbs, air filters, water filters, and other consumables, or knobs, handles, and other cosmetic parts.
12. Surcharges including, but not limited to, any after hours, weekend, or holiday service calls, tolls, ferry trip charges, or mileage expense for service calls to remote areas, including the state of Alaska.
13. Damages to the finish of the appliance and/or the appliance location that are incurred during installation, including but not limited to floors, cabinets, walls, etc.
14. Damages caused by: services performed by unauthorized service companies; use of parts other than genuine Electrolux Professional, Inc. parts or parts obtained from persons other than authorized service companies; or external causes such as abuse, misuse, inadequate power supply, accidents, fires, or acts of God.
15. For appliances operated by a concessionaire or vendor in a trailer or other motorized vehicle, or at varying locations, your appliance is covered by a one (1) year, limited parts and labor warranty. For appliances that are manufactured with a compressor, an additional four (4) year part warranty is provided for the compressor only.

### DISCLAIMER OF IMPLIED WARRANTIES; LIMITATION OF REMEDIES

CUSTOMER'S SOLE AND EXCLUSIVE REMEDY UNDER THIS LIMITED WARRANTY SHALL BE PRODUCT REPAIR OR REPLACEMENT AS PROVIDED HEREIN. CLAIMS BASED ON IMPLIED WARRANTIES, INCLUDING WARRANTIES OF MERCHANTABILITY OR FITNESS FOR A PARTICULAR PURPOSE, ARE LIMITED TO ONE (1) YEAR OR THE SHORTEST PERIOD ALLOWED BY LAW, BUT NOT LESS THAN ONE (1) YEAR. ELECTROLUX PROFESSIONAL, INC. SHALL NOT BE LIABLE FOR CONSEQUENTIAL OR INCIDENTAL DAMAGES SUCH AS PROPERTY DAMAGE AND INCIDENTAL EXPENSES RESULTING FROM ANY BREACH OF THIS WRITTEN LIMITED WARRANTY OR ANY IMPLIED WARRANTY. SOME STATES AND PROVINCES DO NOT ALLOW THE EXCLUSION OR LIMITATION OF INCIDENTAL OR CONSEQUENTIAL DAMAGES, OR LIMITATIONS ON THE DURATION OF IMPLIED WARRANTIES, SO THESE LIMITATIONS OR EXCLUSIONS MAY NOT APPLY TO YOU. THIS WRITTEN WARRANTY GIVES YOU SPECIFIC LEGAL RIGHTS. YOU MAY ALSO HAVE OTHER RIGHTS THAT VARY FROM STATE TO STATE.

#### If You Need Service

In order to obtain service the unit must first be registered at KelvinatorCommercial.com. Once registered please call 866-339-8515 for assistance.

This warranty only applies in the USA and Canada and is warranted by **Electrolux Professional, Inc.** For installations outside the US and Canada, please contact your local equipment provider for warranty specifics.

Electrolux Professional, Inc. authorizes no person to change or add to any obligations under this warranty. Obligations for service and parts under this warranty must be performed by Electrolux Professional, Inc. or an authorized service company. Product features or specifications as described or illustrated are subject to change without notice.

(November 2023)

866-339-8515

Electrolux Professional, Inc.





# COMMERCIAL

## MANUAL DE INSTRUCCIONES

INFORMACIÓN IMPORTANTE,  
CONSERVESE PARA EL USUARIO

Estados Unidos y Canadá, 866-339-8515  
4003 Collins Lane, Louisville, KY 40245  
www.kelvinatorcommercial.com

**ESTE MANUAL DEBE CONSERVARSE PARA CONSULTAS FUTURAS. ASEGÚRESE DE LEER, COMPRENDER Y CUMPLIR LAS INSTRUCCIONES Y ADVERTENCIAS QUE CONTIENE ESTE MANUAL.**

**POR SU SEGURIDAD** No guarde ni utilice gasolina ni otros líquidos o vapores inflamables cerca de este equipo ni de ningún otro.

**NOTIFIQUE LOS DAÑOS AL TRANSPORTISTA DE MANERA INMEDIATA**  
Es responsabilidad del destinatario inspeccionar el contenedor al recibirlo y determinar la posibilidad de cualquier daño, incluidos los daños ocultos. Electrolux Professional Inc. recomienda que, si sospecha que se han producido daños, anote un comentario en el recibo del material. Será responsabilidad del destinatario presentar una reclamación al transportista. Es conveniente que lo haga de inmediato.

**Servicio de fabricación/consultas 866-339-8515.**

Este manual contiene información sobre:

## CONGELADORES NOVEDADES



## CONSERVE ESTE MANUAL PARA CONSULTAS FUTURAS

**AVISO:** Debido a un programa continuo de mejora del producto, Electrolux Professional Inc. se reserva el derecho de realizar cambios en el diseño y las especificaciones sin previo aviso. **AVISO:** Lea detenidamente todo el manual antes de la instalación. Si no se siguen ciertos procedimientos recomendados, se rechazarán las reclamaciones de garantía.

El número de serie de todas las neveras y congeladores autónomos se encuentra fuera de la unidad, en el lado izquierdo, cerca de la parte superior. Tenga siempre a mano el número de serie de la unidad cuando llame para solicitar piezas o servicio técnico. Este manual trata solamente sobre unidades estándar. Si tiene una unidad personalizada, consulte al servicio de atención al cliente en el número que aparece en este manual.

## DESCRIPCIÓN DEL EQUIPO

N.º DE MODELO	TIPO DE REFRIGERANTE	PESO DEL REFRIGERANTE, G	V/HZ/PH	AMPERIOS	CAPACIDAD DE ALMACENAMIENTO (PIES <sup>3</sup> /M <sup>3</sup> )	HP	BTU	ONZAS DE CARGA	PESO DE ENVÍO LB/KG	ENCHUFE NEMA
KCNF073WS	R600a	25	115/60/1	1,2	0,18	1/6	200	1,9	88/40	5-15P
KCNF140WH	R290	115	115/60/1	2	0,41	1/4	1890	4,06	194/88	5-15P
KCNF170WH	R290	135	115/60/1	4,1	0,50	1/2	2200	4,76	243/110	5-15P

## IMPORTANTE - LÉASE PRIMERO - IMPORTANTE

SU SEGURIDAD Y LA DE LOS DEMÁS SON MUY IMPORTANTES.

EN ESTE MANUAL Y EN EL EQUIPO ENCONTRARÁ NUMEROSOS MENSAJES DE SEGURIDAD IMPORTANTES. LEA Y CUMPLA SIEMPRE TODOS LOS MENSAJES DE SEGURIDAD.

LAS INSTRUCCIONES SOBRE NUESTROS PRODUCTOS SE CARGARÁN EN EL SITIO WEB OFICIAL DE NUESTRA EMPRESA.



ESTE ES EL SÍMBOLO DE ALERTA SOBRE SEGURIDAD. ESTE SÍMBOLO ALERTA DE RIESGOS POTENCIALES QUE PUEDEN PROVOCAR HERIDAS O MUERTE AL USUARIO O A OTRAS PERSONAS. TODOS LOS MENSAJES DE SEGURIDAD IRÁN SEGUIDOS DE LOS SÍMBOLOS DE ALERTA DE SEGURIDAD Y DE LAS PALABRAS "PELIGRO", "ADVERTENCIA" O "PRECAUCIÓN".

PELIGRO SIGNIFICA QUE EL INCUMPLIMIENTO DE ESTA INDICACIÓN DE SEGURIDAD PUEDE PROVOCAR LESIONES GRAVES O MUERTE.



ADVERTENCIA SIGNIFICA QUE SI NO SE TIENE EN CUENTA ESTE AVISO DE SEGURIDAD SE PUEDEN PRODUCIR DAÑOS IMPORTANTES EN EL PRODUCTO, LESIONES PERSONALES GRAVES O MUERTE.



PRECAUCIÓN SIGNIFICA QUE EL INCUMPLIMIENTO DE ESTA INDICACIÓN DE SEGURIDAD PUEDE PROVOCAR LESIONES PERSONALES LEVES O MODERADAS, O DAÑOS MATERIALES O EN EL EQUIPO.

TODOS LOS MENSAJES DE SEGURIDAD ALERTAN SOBRE CUÁL ES EL PELIGRO POTENCIAL, INDICAN CÓMO REDUCIR EL RIESGO DE LESIONES E INFORMAN DE LO QUE PUEDE OCURRIR SI NO SE SIGUEN LAS INSTRUCCIONES.

ADVERTENCIAS SOBRE EL GAS REFRIGERANTE:

**PELIGRO:** RIESGO DE INCENDIO O EXPLOSIÓN. USO DE REFRIGERANTE INFLAMABLE. NO UTILICE DISPOSITIVOS MECÁNICOS PARA DESCONGELAR LA NEVERA. NO PERFORE LA TUBERÍA DE REFRIGERANTE.

**PELIGRO:** RIESGO DE INCENDIO O EXPLOSIÓN. USO DE REFRIGERANTE INFLAMABLE. LA REPARACIÓN DEBE ESTAR EXCLUSIVAMENTE A CARGO DE PERSONAL DE SERVICIO EXPERIMENTADO. NO PERFORE LA TUBERÍA DE REFRIGERANTE.

**PRECAUCIÓN:** RIESGO DE INCENDIO O EXPLOSIÓN. USO DE REFRIGERANTE INFLAMABLE. CONSULTE EL MANUAL DE REPARACIONES O LA GUÍA DEL USUARIO ANTES DE INTENTAR DAR SERVICIO A ESTE PRODUCTO. SE DEBEN CUMPLIR TODAS LAS MEDIDAS DE SEGURIDAD.

**PRECAUCIÓN:** RIESGO DE INCENDIO O EXPLOSIÓN. DESÉCHELO DEBIDAMENTE, DE ACUERDO CON LA NORMATIVA NACIONAL O LOCAL. USO DE REFRIGERANTE INFLAMABLE.

**PRECAUCIÓN:** RIESGO DE INCENDIO O EXPLOSIÓN DEBIDO A LA PERFORACIÓN DEL TUBO DE REFRIGERANTE; SIGA ATENTAMENTE LAS INSTRUCCIONES DE MANIPULACIÓN. USO DE REFRIGERANTE INFLAMABLE.

NORMAS DE SEGURIDAD IMPORTANTES:

**PELIGRO:** ANTES DE UTILIZAR LA NEVERA, DEBE COLOCARLA E INSTALARLA CORRECTAMENTE, COMO SE INDICA EN ESTE MANUAL, POR LO QUE DEBE LEERLO ATENTAMENTE. PARA REDUCIR EL RIESGO DE INCENDIO, DESCARGA ELÉCTRICA O LESIONES AL UTILIZAR LA NEVERA, ADOpte UNAS PRECAUCIONES BÁSICAS, ENTRE LAS QUE SE INCLUYEN LAS SIGUIENTES:

**PELIGRO:** ENCHÚFELA A UNA TOMA DE 3 CLAVIJAS CON CONEXIÓN A TIERRA, NO quite LA CLAVIJA DE TIERRA, NO UTILICE ADAPTADOR NI CABLE PROLONGADOR.

**PELIGRO:** SE RECOMIENDA DISPONER DE UN CIRCUITO APARTE QUE SIRVA ÚNICAMENTE A LA NEVERA. UTILICE TOMAS DE CORRIENTE QUE NO PUEDAN DESCONECTARSE MEDIANTE UN INTERRUPTOR O UNA CADENA.

**PELIGRO:** NO LIMPIE NUNCA LOS COMPONENTES DEL FRIGORÍFICO CON LÍQUIDO INFLAMABLE. LAS EMANACIONES PUEDEN ORIGINAR RIESGO DE FUEGO O EXPLOSIÓN. ADEMÁS, NO GUARDE NI UTILICE GASOLINA NI OTROS LÍQUIDOS O VAPORES INFLAMABLES CERCA DE ESTE APARATO NI DE NINGÚN OTRO. LAS EMANACIONES PUEDEN ORIGINAR RIESGO DE FUEGO O EXPLOSIÓN.

**PELIGRO:** ANTES DE PROCEDER A OPERACIONES DE LIMPIEZA Y MANTENIMIENTO, ASEGÚRESE DE QUE LA LÍNEA DE ALIMENTACIÓN ELÉCTRICA DE LA UNIDAD ESTÉ DESCONECTADA.

**PELIGRO:** NO CONECTE NI DESCONECTE EL ENCHUFE ELÉCTRICO CON LAS MANOS MOJADAS.

**PELIGRO:** DESENCHUFE LA NEVERA O DESCONÉCTELA DE LA CORRIENTE ANTES DE LIMPIARLA O REPARARLA. DE LO CONTRARIO, EXISTE EL RIESGO DE SUFRIR DESCARGAS ELÉCTRICAS O MUERTE.

**PELIGRO:** NO INTENTE REPARAR O SUSTITUIR NINGUNA PIEZA DE LA NEVERA A MENOS QUE SE RECOMIENDE ESPECÍFICAMENTE EN EL MANUAL. PARA CUALQUIER OTRO TIPO DE MANTENIMIENTO, DIRÍJASE A UN TÉCNICO PROFESIONAL.

SIGA LAS ADVERTENCIAS QUE SE INDICAN A CONTINUACIÓN SÓLO CUANDO CORRESPONDAN A SU MODELO:

**ADVERTENCIA:** DOS O MÁS PERSONAS DEBEN ENCARGARSE DE TRASLADAR E INSTALAR LA NEVERA. ESTO DEBE HACERSE PARA EVITAR LESIONES DE ESPALDA, ENTRE OTRAS.

**ADVERTENCIA:** PARA GARANTIZAR LA CORRECTA VENTILACIÓN DE LA NEVERA, LA PARTE FRONTAL DEBE ESTAR COMPLETAMENTE DESPEJADA. ELIJA UNA ZONA BIEN VENTILADA CON TEMPERATURAS SUPERIORES A 60 °F (16 °C) E INFERIORES A 90 °F (32 °C). ESTA UNIDAD DEBE INSTALARSE EN UNA ZONA PROTEGIDA DE LOS ELEMENTOS, COMO EL VIENTO, LA LLUVIA, LAS SALPICADURAS O GOTAS DE AGUA.

**ADVERTENCIA:** LA NEVERA NO DEBE COLOCARSE CERCA DE HORNOS, PARRILLAS U OTRAS FUENTES DE CALOR INTENSO.

**ADVERTENCIA:** LA NEVERA DEBE INSTALARSE CON TODAS LAS CONEXIONES ELÉCTRICAS DE ACUERDO CON LOS CÓDIGOS ESTATALES Y LOCALES. SE REQUIERE UN SUMINISTRO ELÉCTRICO ESTÁNDAR (SÓLO 115 VCA, 60 HZ), DEBIDAMENTE CONECTADO A TIERRA DE ACUERDO CON EL CÓDIGO ELÉCTRICO NACIONAL Y LAS NORMAS Y ORDENANZAS LOCALES.

**ADVERTENCIA:** NO RETUERZA NI APRIETE EL CABLE DE ALIMENTACIÓN DE LA NEVERA.

**ADVERTENCIA:** LA CAPACIDAD DEL FUSIBLE (O DISYUNTOR) DEBE SER DE 15 AMPERIOS.

**ADVERTENCIA:** ES IMPORTANTE QUE LA NEVERA ESTÉ NIVELADA PARA QUE FUNCIONE CORRECTAMENTE. ES POSIBLE QUE TENGA QUE HACER VARIOS AJUSTES PARA NIVELARLA.

**ADVERTENCIA:** NO PERMITA QUE LOS NIÑOS UTILICEN LA NEVERA, JUEGUEN CON ELLA O PENETREN EN EL INTERIOR.

**ADVERTENCIA:** AUNQUE LA UNIDAD SE HA PROBADO EN FÁBRICA, DEBIDO AL TRANSPORTE Y ALMACENAMIENTO A LARGO PLAZO, EL PRIMER LOTE DE CUBOS DEBE DESECHARSE.

**ADVERTENCIA:** NO UTILICE PRODUCTOS DE LIMPIEZA A BASE DE DISOLVENTES O ABRASIVOS EN EL INTERIOR. ESOS LIMPIADORES PUEDEN DAÑAR O DECOLORAR EL INTERIOR.

**ADVERTENCIA:** NO UTILICE ESTE EQUIPO PARA FINES DISTINTOS DE LOS PREVISTOS.

## RECEPCIÓN E INSPECCIÓN DEL EQUIPO

Si bien la mayoría de los equipos se envían embalados, se debe tener cuidado durante la descarga para no dañar el equipo al desplazarlo hasta el lugar de instalación.

1. Inspeccione visualmente el exterior del paquete y la plataforma o contenedor. Si se observan daños se deben registrar y comunicar de inmediato al transportista.
2. En caso de daños, abra e inspeccione el contenido con el transportista.
3. Si el exterior no está dañado, pero tras la apertura se observan daños ocultos en el equipo, notifique al transportista. La notificación se debe realizar de manera verbal y por escrito.
4. Solicite que la empresa de transporte inspeccione el equipo dañado. Esto debe hacerse en el plazo de 10 días desde la recepción del equipo.
5. Cerciérese de revisar el alojamiento del compresor y de inspeccionar visualmente el conjunto refrigerante. Compruebe si los conductos están seguros y si la base sigue intacta.
6. Los transportistas pueden suministrar los formularios de notificación de daños si se solicitan.
7. Conserve todo el material de embalaje hasta que se haya realizado o descartado la inspección.

## INSTALACIÓN

**ADVERTENCIA:** LEA TODAS LAS INSTRUCCIONES ANTES DE UTILIZAR LA NEVERA-CONGELADOR.

**ADVERTENCIA:** RIESGO DE QUE NIÑOS QUEDEN ATRAPADOS. LA POSIBILIDAD DE QUE UN NIÑO QUEDE ATRAPADO Y SE ASFIXIE SIGUE SIENDO UN RIESGO IMPORTANTE. LOS EQUIPOS DE NEVERA-CONGELADOR DESECHADOS O ABANDONADOS SIGUEN SIENDO PELIGROSOS. AUNQUE SE "DEJEN EN EL GARAJE SÓLO POR UNOS DÍAS".

**ADVERTENCIA:** ANTES DE DESECHAR LA NEVERA-CONGELADOR ANTIGUA: RETIRE LAS PUERTAS. DEJE LOS ESTANTES EN SU SITIO PARA QUE LOS NIÑOS NO PUEDAN INTRODUCIRSE CON FACILIDAD.

**ADVERTENCIA:** NO PERMITA QUE LOS NIÑOS UTILICEN LA NEVERA-CONGELADOR, JUEGUEN CON ELLA O PENETREN EN EL INTERIOR.

**ADVERTENCIA:** NO LIMPIE NUNCA LOS COMPONENTES DE LA NEVERA-CONGELADOR CON LÍQUIDO INFLAMABLE. LAS EMANACIONES PUEDEN ORIGINAR RIESGO DE FUEGO O EXPLOSIÓN.

**ADVERTENCIA:** NO GUARDE NI UTILICE GASOLINA U OTROS VAPORES O LÍQUIDOS INFLAMABLES EN LAS PROXIMIDADES DE ESTA O DE CUALQUIER OTRA NEVERA-CONGELADOR. LAS EMANACIONES PUEDEN ORIGINAR RIESGO DE FUEGO O EXPLOSIÓN.

## ANTES DE UTILIZAR EL EQUIPO

- Retire el embalaje exterior e interior.
- Compruebe que dispone de todas las piezas siguientes:
  - 1 cesto de almacenamiento
  - 1 tapón de desagüe
  - 1 manual de instrucciones
  - 1 rascador plástico
- Antes de conectar la unidad a la fuente de alimentación, debe estar en posición vertical durante al menos unas 2 horas. Se reduce así la posibilidad de desperfectos en el sistema de refrigeración debidos a la manipulación durante el transporte.
- Limpie la superficie interior con agua templada y un paño suave.

## INSTALACIÓN DEL EQUIPO

- Coloque la nevera-congelador sobre un piso capaz de soportarla cuando esté completamente cargada. Para nivelar la nevera-congelador, ajuste las patas de nivelación situadas en la parte inferior del equipo.
- Deje 5 pulg. (12-13 cm) de espacio libre entre la parte trasera y los lados de la unidad, para facilitar la circulación de aire y el enfriamiento del compresor y del condensador.
- Sitúe la unidad alejada de la luz solar directa y de fuentes de calor (cocina, estufa, radiador, etc.). La luz solar directa puede afectar al recubrimiento de acrílico y las fuentes de calor pueden aumentar el consumo eléctrico. Las temperaturas sumamente frías también pueden afectar al funcionamiento normal de la nevera/congelador.
- No coloque la unidad en zonas húmedas.
- Enchufe la unidad a una toma de pared exclusiva y con conexión a tierra. En ningún caso debe cortar ni extraer la tercera clavija (de conexión a tierra) del cable de alimentación. Para cualquier duda referente a la alimentación eléctrica o la conexión a tierra se debe consultar a un electricista profesional o a un centro de servicio técnico autorizado.

## CONEXIÓN ELÉCTRICA

**ADVERTENCIA: EL USO INADECUADO DEL ENCHUFE CON TOMA A TIERRA PUEDE PROVOCAR EL RIESGO DE DESCARGA ELÉCTRICA. SI EL CABLE DE ALIMENTACIÓN SE DETERIORA, SOLICITE SU SUSTITUCIÓN A UN CENTRO DE SERVICIO TÉCNICO AUTORIZADO.**

Para su seguridad, este equipo debe estar correctamente conectado a tierra. El cable de alimentación de esta unidad está equipado con un enchufe de tres clavijas que se acopla a las tomas de pared estándar de tres clavijas para minimizar la posibilidad de descarga eléctrica.

En ningún caso debe cortar ni extraer la tercera clavija de conexión a tierra del cable de alimentación. Para su seguridad, este aparato debe estar correctamente conectado a tierra.

Este equipo requiere una toma de corriente estándar de 115/120 voltios CA ~/60 Hz con toma de tierra de tres clavijas. Solicite a un electricista profesional que revise la toma de corriente y el circuito para asegurarse de que la toma esté correctamente conectada a tierra. Si solo se dispone de una toma para 2 clavijas, la responsabilidad y obligación del usuario es hacer que se sustituya por una toma de pared de 3 clavijas con conexión a tierra adecuada.

El cable debe fijarse detrás del equipo y no dejarse a la vista ni colgando para evitar lesiones accidentales.

El equipo debe enchufarse siempre a su propia toma de corriente, cuyo voltaje coincida con el indicado en la etiqueta del aparato. Esto proporciona el mejor rendimiento y también evitar la sobrecarga de los circuitos del cableado doméstico, que podría causar un peligro de incendio por sobrecalentamiento. Nunca desenchufe el aparato tirando del cable de alimentación. Debe asir siempre el enchufe con firmeza y tirar rectamente de él para retirarlo de la toma. Repare o sustituya inmediatamente el enchufe si presenta algún signo de desgaste, deshilachado o dañado de algún modo. No utilice cables que presenten grietas

o daños por abrasión en toda su longitud o en alguno de sus extremos. Al mover el equipo, tenga cuidado de no dañar el cable de alimentación.

## CABLE PROLONGADOR

Debido a los riesgos potenciales de seguridad bajo ciertas condiciones, se recomienda especialmente que no utilice cable prolongador con este aparato. No obstante, si tiene que utilizar un prolongador, es absolutamente necesario que sea de 3 hilos con conexión a tierra, homologado por UL/CUL, que tenga un enchufe y que su capacidad eléctrica sea de 115 voltios y al menos 10 amperios.

## ESTABILIZADOR DE CORRIENTE

La mayoría de los aparatos eléctricos utilizan una serie de placas eléctricas de control para funcionar. Esas placas son muy susceptibles a las subidas de voltaje y podrían resultar dañadas o destruidas.

Si el equipo se va a utilizar en una zona, ciudad o país propenso a subidas de voltaje o apagones, se sugiere que emplee un estabilizador de corriente con todos los aparatos eléctricos y electrodomésticos que utilice. El estabilizador que elija debe tener bloqueo de sobrevoltaje suficientemente alto como para proteger el aparato al que está conectado. Si tiene alguna duda sobre el tipo y la capacidad del estabilizador de corriente que necesita, póngase en contacto con un electricista autorizado de su zona.

Los daños debidos a subidas de voltaje no se consideran defectos cubiertos por el fabricante y anularán la garantía del producto.

## FUNCIONAMIENTO

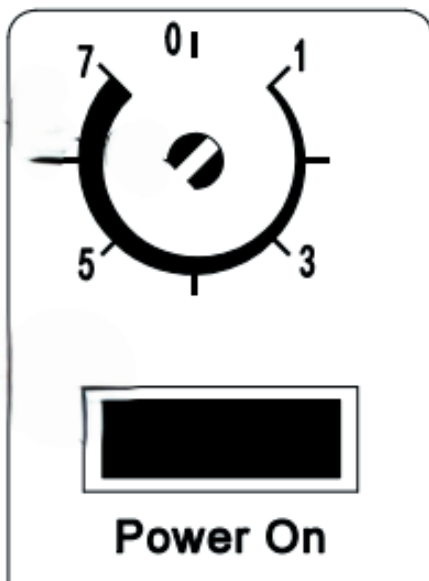
**PRECAUCIÓN: NO UTILICE AGUA HIRVIENDO PORQUE PUEDE DAÑAR LAS PIEZAS DE PLÁSTICO. ADEMÁS, NO UTILICE NUNCA UN INSTRUMENTO AFILADO O METÁLICO PARA ELIMINAR LA ESCARCHA, YA QUE PODRÍA DAÑAR LOS SERPENTINES DE REFRIGERACIÓN Y ANULARÍA LA GARANTÍA. SE RECOMIENDA UTILIZAR EL RASCADOR DE PLÁSTICO SUMINISTRADO CON LA UNIDAD.**

**NOTA: SI LA UNIDAD SE DESENCHUFA, DEJA DE RECIBIR ALIMENTACIÓN O SE APAGA, DEBE ESPERAR DE 3 A 5 MINUTOS ANTES DE VOLVER A PONERLA EN MARCHA. SI INTENTA VOLVER A PONERLA EN MARCHA ANTES DE ESE TIEMPO, EL CONGELADOR NO ARRANCARÁ.**

## AJUSTE DEL CONTROL DE TEMPERATURA: KCNF073WS



- Para controlar la temperatura interior, ajuste los mandos de control en función de la temperatura ambiente o del uso previsto.
- La primera vez que encienda el equipo, ajuste el control de temperatura en "7".
- La escala de control de temperatura va de la posición "1", la más caliente, a la "7", la más fría, en la sección del congelador. Después de 24 a 48 horas, ajuste el mando de temperatura en la posición más adecuada para sus necesidades. El ajuste "4" es normalmente el adecuado para el uso de la nevera en el hogar o la oficina.
- Al girar el mando de temperatura a "0" se detiene el ciclo de enfriamiento pero no se corta el suministro de electricidad al congelador.
- Una gran cantidad de alimentos reduce la eficacia de refrigeración del equipo.
- Si decide cambiar el ajuste del termostato, regule el control en incrementos numéricos de uno en uno. Deje pasar varias horas para que la temperatura se estabilice entre un ajuste y otro.



- Para controlar la temperatura interior, con un destornillador, ajuste las perillas de control según la temperatura ambiente o el uso previsto.
- La primera vez que encienda el equipo, ajuste el control de temperatura en "7".
- La escala de control de temperatura va de la posición "1", la más caliente, a la "7", la más fría, en la sección del congelador. Después de 24 a 48 horas, ajuste el mando de temperatura en la posición más adecuada para sus necesidades. El ajuste "4" es normalmente el adecuado para el uso de la nevera en el hogar o la oficina.
- Al girar el mando de temperatura a "0" se detiene el ciclo de enfriamiento pero no se corta el suministro de electricidad al congelador.
- Una gran cantidad de alimentos reduce la eficacia de refrigeración del equipo.
- Si decide cambiar el ajuste del termostato, regule el control en incrementos numéricos de uno en uno. Deje pasar varias horas para que la temperatura se estabilice entre un ajuste y otro.

#### **DESCONGELACIÓN DEL CONGELADOR**

- ¿Cuándo? Para un funcionamiento más eficiente y un consumo mínimo de energía, descongele el congelador cuando la escarcha de sus paredes sea excesiva o tenga un grosor de ¼ a ½ pulg. (de 0,6 a 1,3 cm).
- Elija un momento en el que las existencias de alimentos congelados sean escasas.
- Saque los alimentos congelados del congelador y colóquelos en una nevera para protegerlos.
- Gire el mando del termostato a la posición "0".
- Desenchufe el congelador. La luz indicadora de encendido debe estar apagada.
- Durante la descongelación, el hielo se funde en el armario.
- Retire el tapón de vaciado situado en la base del congelador tirando hacia fuera.
- Coloque una bandeja poco profunda en la salida del desagüe. El agua de descongelación saldrá por el desagüe.
- Compruebe ocasionalmente la bandeja para evitar que rebose.
- Limpie el Interior del congelador.
- Vuelva a colocar el tapón en la base.
- Vuelva a conectar la conexión eléctrica. La luz indicadora de encendido debe encenderse

- Restablezca el termostato al ajuste que desee.
- Deje enfriar el armario durante una hora.
- Devuelva los alimentos al congelador.

La descongelación suele tardar unas horas. Dejar la puerta abierta acelera el proceso. También, verter agua caliente (no hirviendo) sobre el hielo o la escarcha. Si tiene que utilizar un rascador, tenga cuidado: es muy fácil dañar el congelador y anular la garantía.

#### **COMPARTIMIENTO CONGELADOR**

- Este compartimento está diseñado para el almacenamiento a largo plazo de alimentos congelados. El tiempo de almacenamiento es de hasta tres meses.
- La duración de conservación de los alimentos congelados varía y no debe superarse el tiempo de conservación recomendado. Al descongelar el congelador deben seguirse las instrucciones relativas al cuidado de los alimentos congelados.
- Los congelados preenvasados comercialmente deben almacenarse de acuerdo con las instrucciones del fabricante para un compartimento de tres estrellas o un congelador doméstico.
- Introduzca los alimentos congelados en el congelador lo antes posible después de comprarlos. Si hay instrucciones en el paquete relativas a los tiempos de almacenamiento, sígalas atentamente.
- La puerta del congelador puede romperse debido a una acumulación excesiva de hielo. Debe descongelar cuando el hielo alcance de ¼ a ½ pulg. (de 0,6 a 1,3 cm) de grosor.

Se proporciona un cesto de almacenamiento para la organización de artículos con formas irregulares. Para alcanzar otros envases en el congelador, deslice el cesto a un lado o elévelo.

#### **CONGELACIÓN DE ALIMENTOS FRESCOS**

- El uso correcto del aparato, el envasado adecuado de los alimentos, la temperatura correcta y la adopción de precauciones higiénicas influirán sustancialmente en la calidad de la congelación o el almacenamiento de los alimentos congelados.
- Este compartimento está diseñado para el almacenamiento a largo plazo de alimentos congelados.
- La duración de conservación de los alimentos congelados varía y no debe superarse el tiempo de conservación recomendado.
- Los congelados preenvasados comercialmente deben almacenarse de acuerdo con las instrucciones del fabricante para un compartimento de tres estrellas o un congelador doméstico.
- Introduzca los alimentos congelados en el congelador lo antes posible después de comprarlos. Si hay instrucciones en el paquete relativas a los tiempos de almacenamiento, sígalas atentamente.
- Seleccione cuidadosamente los alimentos que vaya a congelar, deben ser de calidad adecuada y aptos para la congelación.
- Utilice un envase adecuado y bien envuelto.
- El envase debe ser hermético y sin fugas, ya que podrían causar una pérdida importante de vitaminas y la deshidratación de los alimentos.
- El papel de aluminio y las bolsas deben ser suficientemente blandas para envolver bien los alimentos.
- Cuando prepare alimentos para congelar, tenga en cuenta las precauciones sanitarias.
- Marque los envases con los datos siguientes: tipo y cantidad de alimentos y fecha de carga.
- Lo más importante es que los alimentos se congelen lo antes posible.
- Si la carga es demasiado grande, se reduce la calidad de la congelación, lo que afecta a la calidad de los alimentos congelados.

## MANTENIMIENTO

**PELIGRO:** EL INTERRUPTOR DEBE ESTAR EN POSICIÓN DE APAGADO Y LA UNIDAD DESCONECTADA DE LA FUENTE DE ALIMENTACIÓN CUANDO SE LLEVEN A CABO TAREAS DE SERVICIO, MANTENIMIENTO O LIMPIEZA DE LA ZONA REFRIGERADA.

**PELIGRO:** NO UTILICE AGUA A ALTA PRESIÓN PARA ESTE PROCEDIMIENTO DE LIMPIEZA, YA QUE EL AGUA PUEDE DAÑAR LOS COMPONENTES ELÉCTRICOS UBICADOS EN EL SERPENTÍN DEL CONDENSADOR O CERCA DE ÉL.

**PELIGRO:** NO UTILICE ESTROPAJOS DE ACERO, CEPILLOS DE ALAMBRE NI RASCADORES.

**PRECAUCIÓN:** ¡NO UTILICE NUNCA SOLUCIONES DE LIMPIEZA CON BASE DE ÁCIDO! MUCHOS PRODUCTOS ALIMENTICIOS TIENEN UN CONTENIDO ÁCIDO QUE PUEDE DETERIORAR EL ACABADO. ASEGÚRESE DE ELIMINAR TODOS LOS PRODUCTOS ALIMENTICIOS DE LAS SUPERFICIES DE ACERO INOXIDABLE.

### LIMPIEZA DEL CONGELADOR

- Tras la instalación del equipo nuevo, se recomienda limpiarlo a fondo.
- Gire el control de temperatura a "OFF", desenchufe el congelador, retire los alimentos y el cesto de almacenamiento.
- Lave el interior con un paño húmedo y templado, empapado en una solución de agua y bicarbonato de sodio. La solución debe ser de unas 2 cucharadas de bicarbonato de sodio por cada litro de agua.
- Lave el cesto de almacenamiento con una solución de detergente suave.
- Asegúrese de mantener limpia la junta de la puerta para que la unidad funcione correctamente.
- El exterior del congelador se debe limpiar con un detergente suave y agua templada.
- Seque el interior y el exterior con un paño suave.
- Se recomienda limpiar la unidad cada vez que se descongele para ayudar a mantenerla libre de olores y funcionando de manera eficiente.

### PERIODO DE VACACIONES

- Extraiga todos los alimentos.
- Desenchufe el congelador.
- Limpie el congelador.
- Deje la puerta ligeramente abierta para evitar la posible formación de condensación, moho u olores.
- Extreme las precauciones con los niños. La unidad no debe ser accesible para los juegos de los niños.
- Vacaciones cortas: Deje el congelador en marcha durante las vacaciones o por periodos inferiores a tres semanas.
- Vacaciones largas: Si no va a utilizar el equipo durante varios meses, retire todos los alimentos y desenchufe el cable de alimentación. Limpie y seque a fondo el interior. Para evitar olores y la aparición de moho, deje la puerta ligeramente abierta: bloquéela si es necesario o pída que la retiren.

### DESPLAZAMIENTO DEL CONGELADOR

- Extraiga todos los alimentos.
- Fije con cinta adhesiva todos los objetos sueltos en el interior del congelador.
- Retire los rodillos para evitar daños.
- Fije las puertas cerradas con cinta adhesiva.
- Cerciórese de mantener el congelador en posición vertical durante el transporte.

## CONSEJOS PARA AHORRAR ENERGÍA

- El congelador debe estar situado en la zona más fresca del recinto, lejos de aparatos que produzcan calor o conductos de calefacción, y alejado de la luz solar directa.
- Espere a que los alimentos calientes se enfríen a temperatura ambiente antes de introducirlos en el congelador. La sobrecarga del congelador obliga al compresor a funcionar más tiempo. Los alimentos que se congelan con demasiada lentitud pueden perder calidad o estropearse.
- Envuelva bien los alimentos y seque los recipientes antes de introducirlos en el congelador. Esto reduce la formación de escarcha en el interior del congelador.
- El recipiente de almacenamiento del congelador no debe forrarse con papel de aluminio, papel encerado ni papel de cocina. Los revestimientos interfieren en la circulación del aire frío, restando eficiencia al congelador.
- Organice y etiquete los alimentos para reducir las aperturas de la puerta y las búsquedas prolongadas. Retire todos los elementos necesarios de una vez y cierre la puerta lo antes posible.

## SOLUCIÓN DE PROBLEMAS

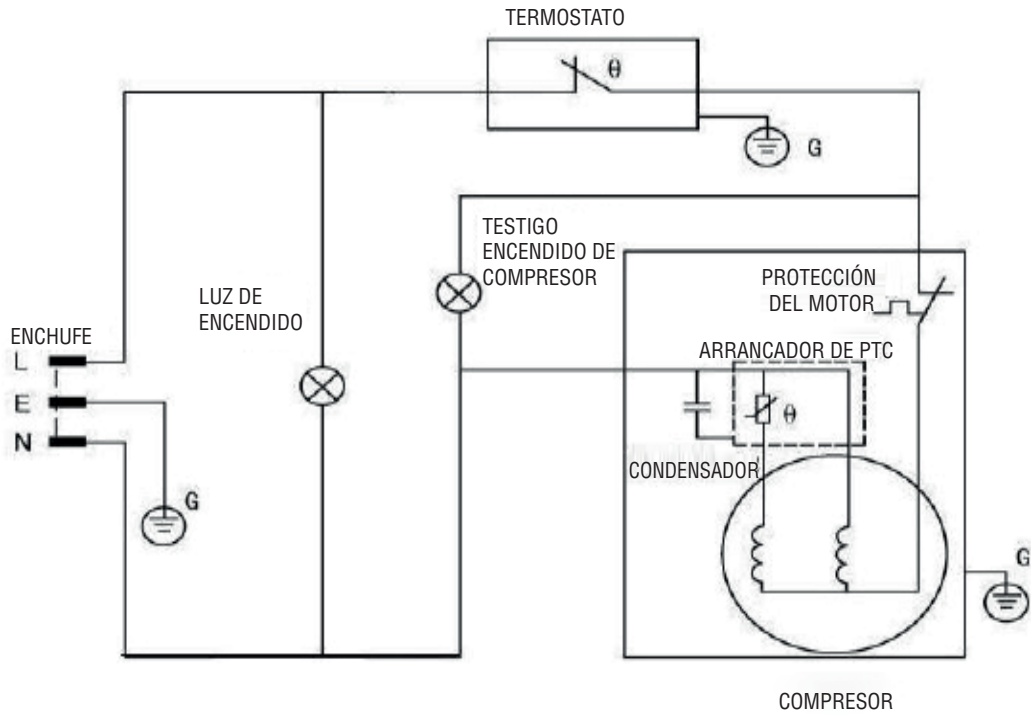
El usuario puede resolver fácilmente muchos de los problemas sencillos del congelador sin necesidad de realizar gastos en llamadas al servicio técnico. Pruebe las recomendaciones siguientes para ver si puede resolver el problema antes de llamar al servicio técnico.

PROBLEMA	CAUSAS
El congelador no funciona	No está enchufado. Se activó el disyuntor o se ha quemado el fusible. El control de temperatura del congelador está en "0/OFF".
El compresor se activa y desactiva con frecuencia	La temperatura ambiente es superior a la normal. Se ha introducido una gran cantidad de alimentos en el congelador. La puerta se abre a menudo. La puerta no está cerrada por completo. El control de temperatura no se ha ajustado correctamente. La junta de la puerta no sella adecuadamente. El congelador no tiene los espacios libres adecuados. El congelador se ha desconectado recientemente durante un tiempo. Son necesarias cuatro horas para que el congelador se enfríe por completo.
La temperatura dentro del congelador es muy elevada	El mando de temperatura se ha ajustado en un valor demasiado alto. Gire el mando a un ajuste más frío y deje pasar varias horas para que la temperatura se estabilice. La puerta se mantiene abierta durante demasiado tiempo o se abre con excesiva frecuencia. Entra aire cálido en el congelador cada vez que se abre la puerta. Abra la puerta con menor frecuencia. La puerta no está cerrada por completo. La junta de la puerta no sella adecuadamente. Se ha almacenado recientemente una gran cantidad de alimentos templados o calientes. Espere a que el congelador alcance la temperatura seleccionada. El congelador se ha desconectado recientemente durante un tiempo. Son necesarias cuatro horas para que el congelador se enfríe por completo.

<b>PROBLEMA</b>	<b>CAUSAS</b>
La temperatura dentro del congelador es demasiado baja	<p>El mando de temperatura se ha ajustado en un valor demasiado frío. Gire el mando a un ajuste más cálido y deje pasar varias horas para que la temperatura se estabilice.</p> <p>El interruptor Fast Freeze (congelación rápida) está activado. Esto provoca el funcionamiento continuo del compresor y no se tiene en cuenta el mando de la temperatura.</p>
La temperatura de la superficie exterior del congelador es cálida	Es posible que las paredes externas del equipo estén hasta 30 °F (-1 °C) por encima de la temperatura ambiente. Esto es normal mientras el compresor transfiere calor desde el interior del armario congelador.
Sonido de chasquido o crujido al encenderse el compresor	Las piezas metálicas están sometidas a dilatación y contracción, al igual que las tuberías de agua caliente. Es normal. El ruido se estabiliza o desaparece mientras el congelador sigue funcionando.
Sonido de borboteo o gorgoteo, como el de agua en ebullición	El refrigerante (que enfría el congelador) está circulando a través del sistema. Es normal.
Vibraciones	<p>Compruebe que el congelador se encuentre sobre una superficie plana.</p> <p>El piso es desigual o poco firme. El congelador se balancea en el piso cuando se mueve ligeramente. Cerciórese de que el suelo pueda soportar debidamente el peso del congelador. Nivele el congelador colocando debajo suplementos de madera o metálicos.</p> <p>El congelador toca la pared. Vuelva a nivelar el congelador y sepárelo de la pared.</p> <p>Consulte "Instrucciones de instalación".</p>
Se forma humedad en las paredes internas del congelador	<p>El clima es húmedo y cálido, lo que aumenta la acumulación de escarcha en el interior. Es normal.</p> <p>La puerta está ligeramente abierta.</p> <p>La puerta se mantiene abierta durante demasiado tiempo o se abre con excesiva frecuencia. Abra la puerta con menor frecuencia.</p> <p>La puerta no está bien sellada.</p>
Se forma humedad en el exterior del congelador	La puerta está ligeramente abierta, lo que hace que el aire frío del interior del congelador coincida con el aire húmedo y tibio del exterior.
La puerta no cierra bien	<p>El congelador no está sobre una superficie nivelada.</p> <p>La junta está sucia.</p> <p>El cesto de almacenamiento está fuera de su posición.</p>



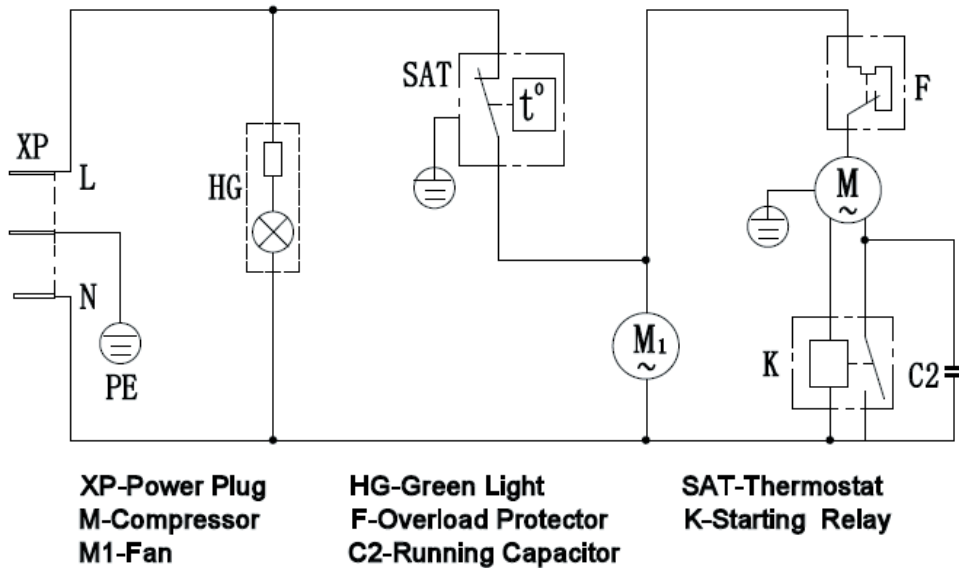
# Diagrama de cableado



KCNF140WH

LLAME A LA FÁBRICA SI NECESITA REPUESTOS:  
866-339-8515

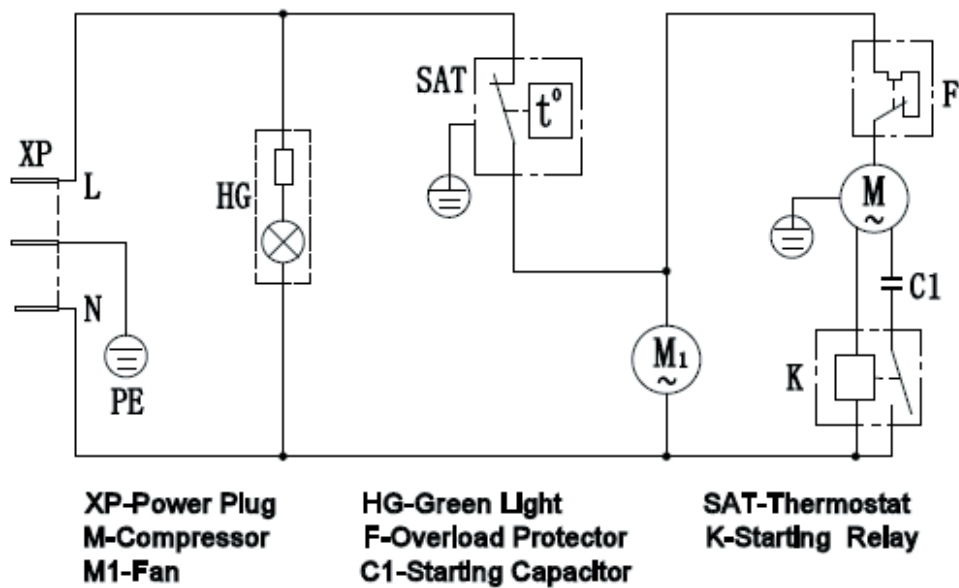
## Diagrama de cableado



KCNF170WH

LLAME A LA FÁBRICA SI NECESITA REPUESTOS:  
866-339-8515

## Diagrama de cableado



## GARANTÍA

El equipo cuenta con **garantía limitada de un (1) años**. Desde la fecha original de compra y durante un periodo de tres (3) años, Electrolux Professional, Inc. correrá con todos los gastos, excepto los indicados más abajo, de reparación o sustitución de las piezas de este equipo que muestren desperfectos de materiales o mano de obra en el momento de la instalación, uso o mantenimiento, de acuerdo con las instrucciones suministradas. Los equipos fabricados con compresor tienen una garantía adicional de cuatro (4) años que solo se aplica al compresor.

### EXCLUSIONES

#### ESTA GARANTÍA NO CUBRE LO SIGUIENTE:

1. Productos en los que el número de serie original se ha eliminado, alterado o no pueda observarse con facilidad.
2. Desgaste normal y deterioro gradual.
3. Producto que ha sido transferido de su propietario original a otra parte o trasladado fuera de EE.UU. o Canadá.
4. Óxido en el interior o el exterior de la unidad.
5. Productos adquiridos "tal cual".
6. Pérdidas de alimentos debidas a desperfectos de nevera o congelador.
7. Daños sufridos en cualquier momento del transporte.
8. Llamadas al servicio técnico que no se refieran a desperfectos o defectos de material o elaboración, o respecto a equipos utilizados de un modo distinto al indicado en las instrucciones suministradas.
9. Llamadas al servicio técnico para corregir la instalación del equipo o para solicitar instrucciones de uso.
10. Gastos para hacer accesible el equipo para su mantenimiento, como la retirada de molduras, armarios, estantes, etc., que no formen parte del equipo cuando se envía de fábrica.
11. Llamadas al servicio técnico para sustituir lámparas, filtros de aire, filtros de agua y otros consumibles, o perillas, asas u otras piezas ornamentales.
12. Recargos derivados, entre otras cosas, de trabajo en horas extra, fin de semana o festivos, peajes, trasbordos o kilometraje por llamadas al servicio técnico desde zonas alejadas, incluido el Estado de Alaska.
13. Daños ocasionados al acabado del equipo o a su ubicación producidos durante la instalación, entre otros, a pisos, armarios, paredes, etc.
14. Daños provocados por: servicios realizados por empresas de servicios no autorizadas; uso de repuestos que no sean originales de Electrolux Professional, Inc. o repuestos obtenidos de personas que no sean empresas de servicios autorizadas; o causas externas como uso incorrecto o indebido, alimentación eléctrica inadecuada, accidentes, incendios o desastres naturales.
15. Los equipos utilizados por concesionarios o distribuidores en un remolque u otro vehículo motorizado, o en distintas ubicaciones, tienen garantía de un (1) año con limitación de piezas y mano de obra. Los equipos fabricados con compresor tienen una garantía adicional de cuatro (4) años que solo se aplica al compresor.

### EXCLUSIÓN DE GARANTÍAS IMPLÍCITAS; LIMITACIÓN DE RECURSOS

EL ÚNICO Y EXCLUSIVO RECURSO DEL CLIENTE SEGÚN LOS TÉRMINOS DE ESTA GARANTÍA LIMITADA SERÁ LA REPARACIÓN O SUSTITUCIÓN DEL PRODUCTO SEGÚN SE ESTIPULA EN EL PRESENTE DOCUMENTO. LAS RECLAMACIONES BASADAS EN GARANTÍAS IMPLÍCITAS, INCLUIDAS LAS GARANTÍAS DE COMERCIABILIDAD O DE IDONEIDAD PARA UN FIN DETERMINADO, ESTÁN LIMITADAS A UN (1) AÑO O AL PERÍODO MÁS CORTO PERMITIDO POR LEY, AUNQUE NO INFERIOR A UN (1) AÑO. ELECTROLUX PROFESSIONAL, INC. NO SERÁ RESPONSABLE DE DAÑOS CONSECUENTES O FORTUITOS COMO DAÑOS A LA PROPIEDAD Y GASTOS OCASIONALES DERIVADOS DE CUALQUIER INCUMPLIMIENTO DE ESTA GARANTÍA LIMITADA ESCRITA O DE CUALQUIER GARANTÍA IMPLÍCITA. ALGUNOS ESTADOS Y PROVINCIAS NO PERMITEN LA EXCLUSIÓN O LIMITACIÓN DE DAÑOS ACCIDENTALES O DERIVADOS NI LIMITACIONES ACERCA DE LA DURACIÓN DE LA GARANTÍA IMPLÍCITA, DE MODO QUE ES POSIBLE QUE LAS LIMITACIONES O EXCLUSIONES ARRIBA MENCIONADAS NO SE APLIQUEN A SU CASO. ESTA GARANTÍA ESCRITA LE OTORGA DERECHOS LEGALES ESPECÍFICOS. ES POSIBLE QUE TAMBIÉN DISFRUTE DE OTROS DERECHOS QUE VARIÉN DE UNA JURISDICCIÓN A OTRA.

#### Si necesita servicio

Para obtener servicio, la unidad debe registrarse primero en KelvinatorCommercial.com. Una vez registrada, llame al 866-339-8515 para solicitar asistencia.

Esta garantía sólo se aplica en EE.UU. y Canadá y está garantizada por **Electrolux Professional, Inc.** Para instalaciones fuera de EE. UU. y Canadá, comuníquese con su proveedor de equipos local para conocer los detalles de la garantía.

Electrolux Professional, Inc. no autoriza a persona alguna a cambiar o añadir obligaciones a esta garantía. Las obligaciones de servicio y repuestos impuestas por esta garantía debe satisfacerlas Electrolux Professional, Inc. o una empresa de servicios autorizada. Las características o especificaciones que se describen o ilustran están sujetas a cambios sin previo aviso.

(Noviembre de 2023)

866-339-8515

Electrolux Professional, Inc.

